



AIR6SC-600/AIR6SC-750

小巧、敏捷
高速度
高精度
轻型机身

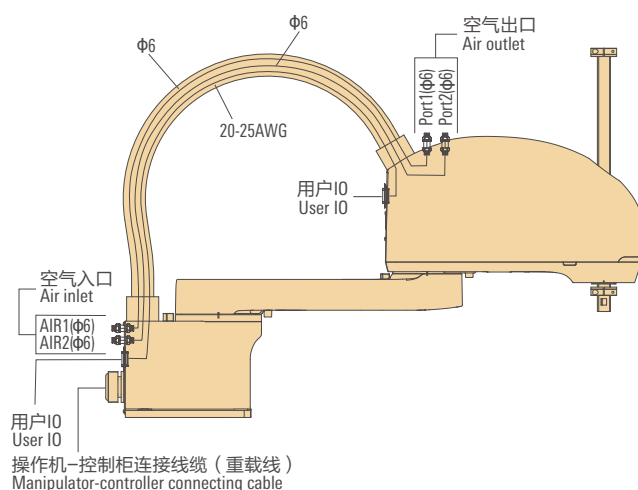
Small and Agile
High speed
High precision
Lightweight body

- 结构紧凑、工作空间大、较高的重复定位精度。
Compact structure, large working space, high position repeatability.
- 速度快, 节拍时间短, 适合快速搬运。
Fast speed, short cycle, suitable for rapid handling.
- 占地面积小, 节约空间。
Small footprint.

细分版本 Variant

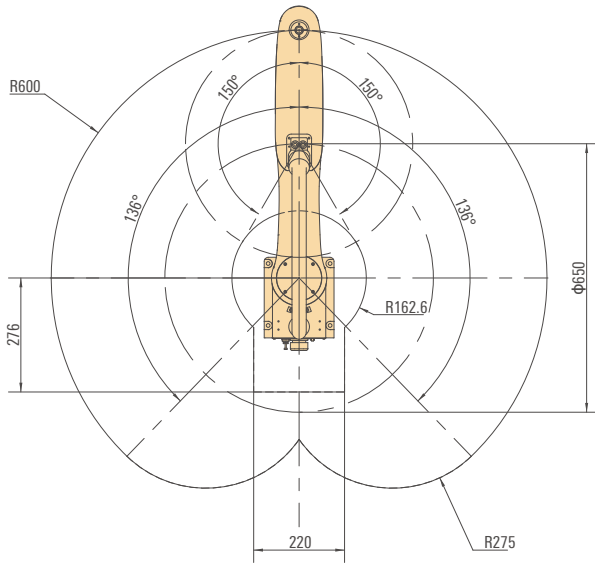
AIR6SC-600Z20	AIR6SC-750Z20
AIR6SC-600Z30	AIR6SC-750Z30

机体内配线 • 配管 Integrated dressing

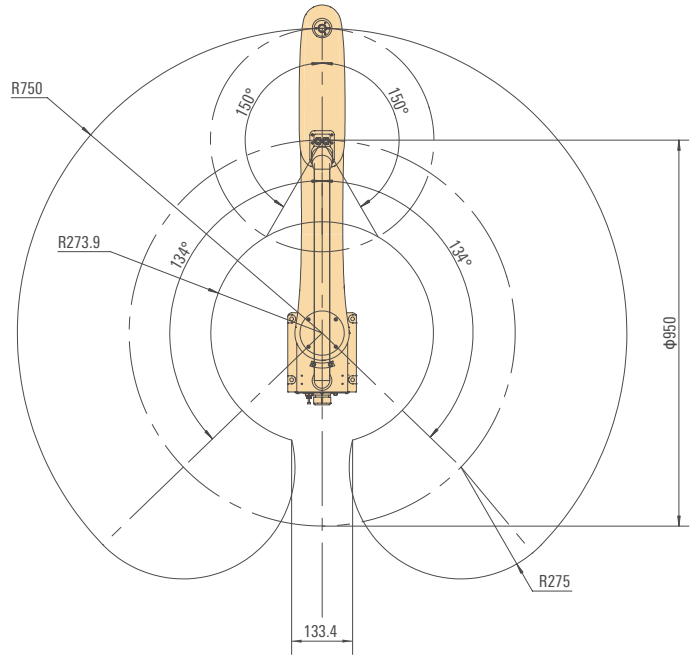


型号 Type		AIR6SC-600	AIR6SC-750
轴数 Axes		4	4
负载 Payload	额定 Rated payload	2kg	2kg
	最大 Max. payload	6kg	6kg
轴 4 允许装载的惯量 Allowable moment of inertia of J4	额定 Rated inertia	0.01kg·m ²	0.01kg·m ²
	最大 Max. inertia	0.12kg·m ²	0.12kg·m ²
机器人本体 Manipulator	重量 Weight	20.1kg	21.2kg
	最大运动范围 Reach	600mm	750mm
重复定位精度 Position repeatability	轴 1+ 轴 2 Axis 1+Axis 2	±0.015mm	±0.015mm
	轴 3 Axis 3	±0.01mm	±0.01mm
	轴 4 Axis 4	±0.005°	±0.005°
IP 等级 Ingress Protection		IP20	IP20
安装方式 Mounting		地装 Floor	地装 Floor
运动范围 Working range	轴 1 Axis 1	-137°/+137°	-134°/+134°
	轴 2 Axis 2	-150°/+150°	-150°/+150°
	轴 3 Axis 3	200/300 mm	200/300 mm
	轴 4 Axis 4	-360°/+360°	-360°/+360°
运动速度 Rotation rate	轴 1 Axis 1	400°/s	400°/s
	轴 2 Axis 2	650°/s	650°/s
	轴 1+ 轴 2 Axis1+Axis2	7300mm/s	8355mm/s
	轴 3 Axis 3	1100mm/s	1100mm/s
小臂接口 Small arm interface	电气接口 Electrical interface	20 路 IO	20 路 IO
	气路接口 Air plug interface	2 路 φ6	2 路 φ6
适用控制柜 Controllers		inCube2S-6	inCube2S-6
安装条件 Mounting conditions	环境温度: 0~40℃ Ambient temperature: 0~40℃ 湿度: 恒温下 85% 以内, 无凝露。 Humidity: not more than 85% at constant temperature without condensation. 允许高度: 海拔 1000m 以下。 Allowable altitude: not more than 1000m above sea level. 不应有腐蚀性、可燃性、易爆性气体。 No corrosive, flammable or explosive gases.		

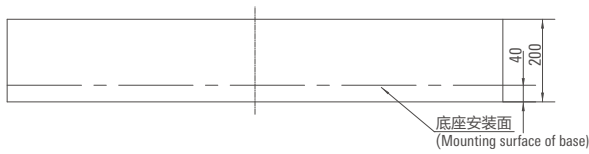
运动范围 Working range



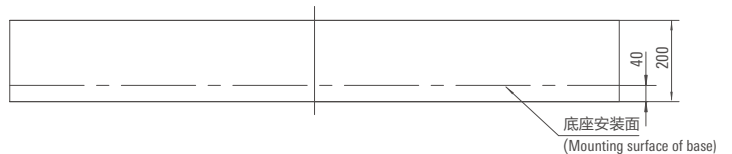
轴 1/ 轴 2 运动范围
Working range of axis 1 and axis 2



轴 1/ 轴 2 运动范围
Working range of axis 1 and axis 2



轴 3 运动范围
Working range of axis 3



轴 3 运动范围
Working range of axis 3

外形尺寸、夹具及底座安装图 Overall dimensions, fixture and base installation drawing

