



两种出线方式
Two connection outlets



型号 Type		AIR4-560A
轴数 Axes		6
负载 Payload		4kg
机器人本体 Manipulator	重量 Weight	23kg
	最大运动范围 Reach	560mm
定位精度 Positioning accuracy	位置重复定位精度 Position repeatability	±0.02mm
IP 等级 Ingress Protection		IP65
安装方式 Mounting		地装 / 壁装 / 吊装 Floor/ wall/ ceiling
运动范围 Working range	轴 1* Axis 1 rotation	-170°/+170°
	轴 2 Axis 2 arm	-110°/+120°
	轴 3 Axis 3 arm	-108°/+152°
	轴 4 Axis 4 wrist	-200°/+200°
	轴 5 Axis 5 bend	-118°/+118°
	轴 6 Axis 6 turn	-350°/+350°
运动速度 Rotation rate	轴 1 Axis 1 rotation	450°/s
	轴 2 Axis 2 arm	450°/s
	轴 3 Axis 3 arm	525°/s
	轴 4 Axis 4 wrist	600°/s
	轴 5 Axis 5 bend	600°/s
	轴 6 Axis 6 turn	800°/s
适用控制柜 Controllers		inCube20
安装条件 Mounting conditions	环境温度：0~45℃ Ambient temperature: 0~45℃ 湿度：恒温下 95% 以内，无凝露。 Humidity: not more than 95% at constant temperature without condensation. 允许高度：操作机正常工作环境的海拔高度不应超过 1000 米（在 1000 米 -4000 米高度范围内，操作机应降额使用）。 Allowable altitude: not more than 1000m above sea level. 不应有腐蚀性、可燃性、易爆性气体。 No corrosive, flammable or explosive gases.	

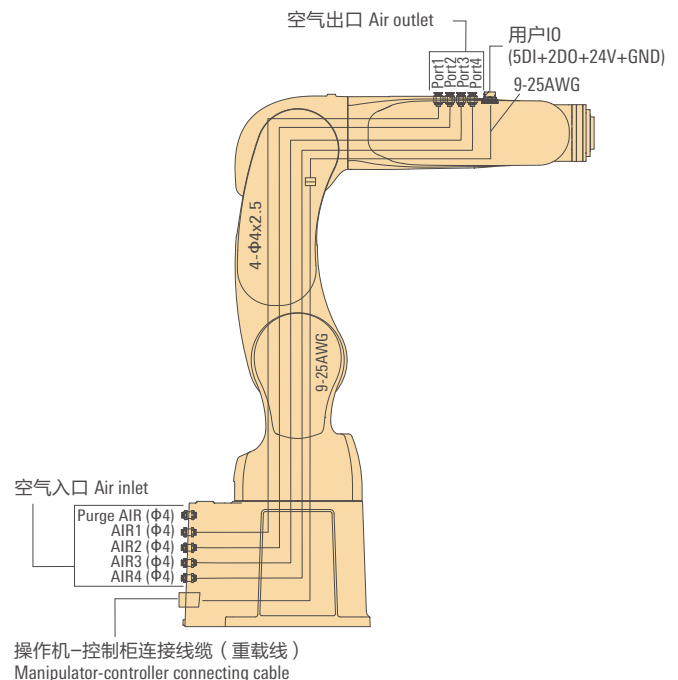
AIR4-560A

高速度
高精度
高稳定性
小巧、敏捷
高防护等级

High speed
High precision
High stability
Small and Agile
IP65

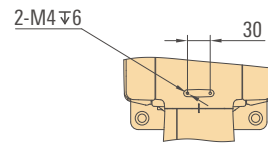
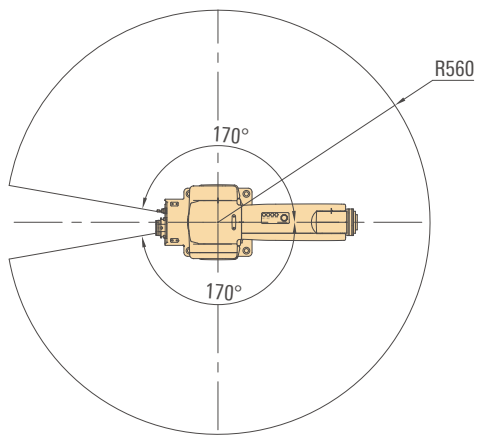
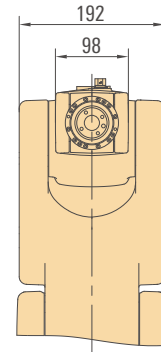
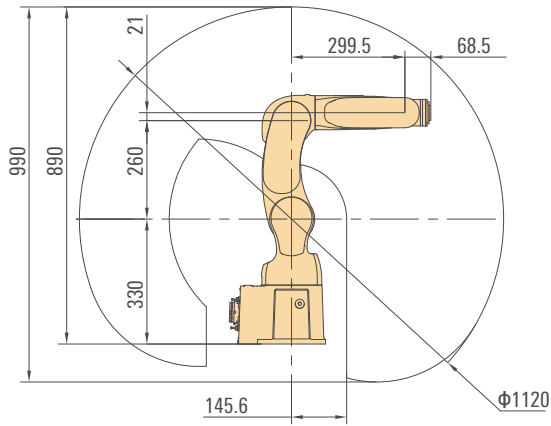
- 标准循环时间小于 0.33s，满足追求最短循环时间和最高产量的需求。
The standard cycle time is less than 0.33s, meeting the needs of the maximum output in the shortest time.
- 专用的电机散热设计，轻松应对 3C 行业高强度高频次重复运动产生的高发热。
Advanced heat dissipation design of motor, enables AIR4-560A to easily cope with the high heat generated by high-intensity repetitive operation in the 3C industry.
- 非常适于狭小空间内作业、3C 制造等行业的高精密生产作业，主要用于小型工件的装配、搬运、螺接、检测等。
AIR4-560A is very ideal for narrow space operations, as well as highly precise operations in 3C field. Widely used in assembly, handling, screwing and testing of small workpieces.

机体内配线 • 配管 Integrated dressing



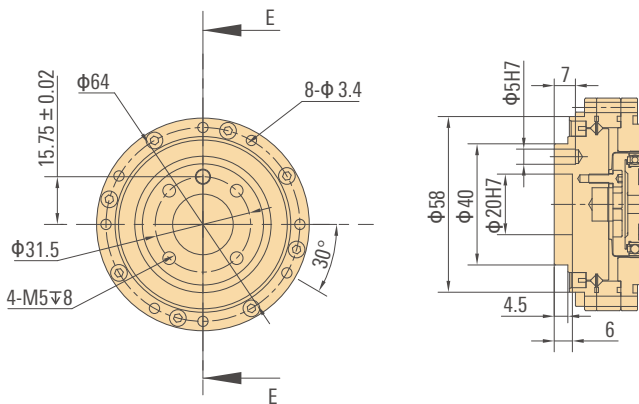
* 若去除机械限位，运动范围可达 -180°/+180°。
If the mechanical limit is removed, the working range can reach -180°/+180°.

外形尺寸及运动范围 Outline dimension and Working range



肘部孔位图
Elbow arm

法兰图 Flange drawing



底座安装图 Base installation drawing

