



AIR3SC-400

小巧、敏捷
高速度
高精度
轻型机身

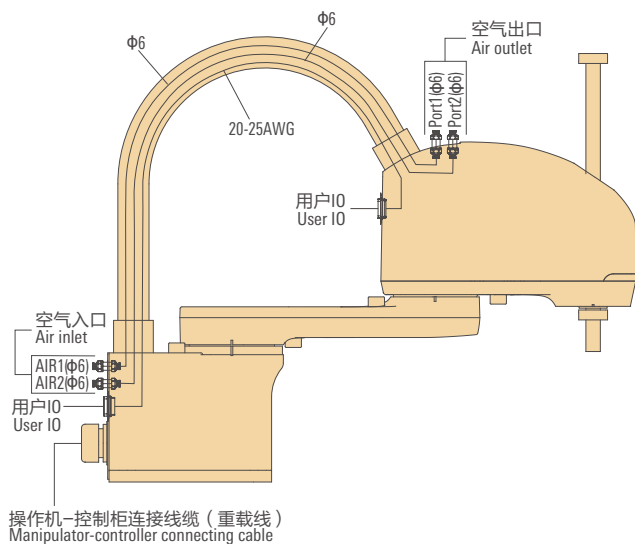
Small and Agile
High speed
High precision
Lightweight body

- 结构紧凑、运动范围广、较高的重复定位精度。
Compact structure, wide range of motion, high position repeatability.
- 速度快，节拍时间短，适合快速搬运。
Fast speed, short cycle, suitable for rapid handling.

细分版本 Variant

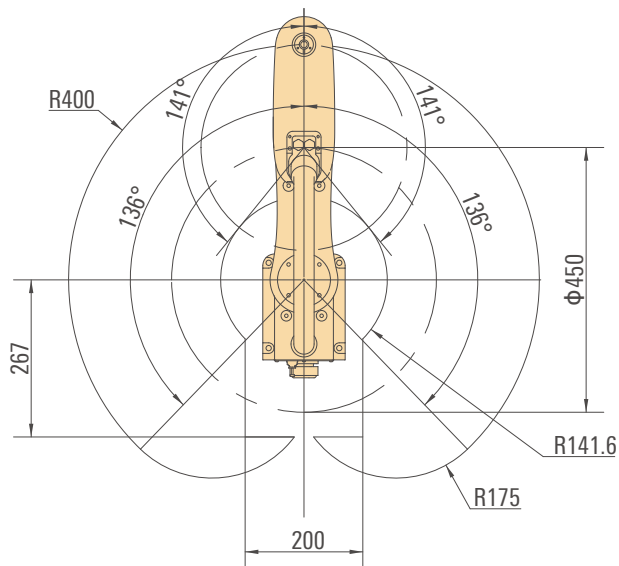
AIR3SC-400Z15

机体内配线·配管 Integrated dressing

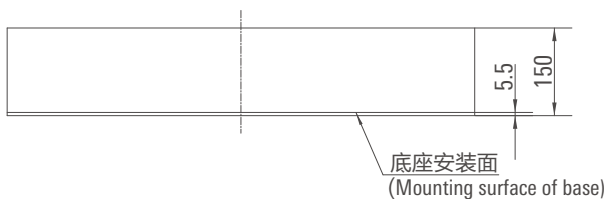


型号 Type		AIR3SC-400
轴数 Axes		4
负载 Payload	额定 Rated payload	1kg
	最大 Max. payload	3kg
轴 4 允许装载的惯量 Allowable moment of inertia of J4	额定 Rated inertia	0.005 kg·m ²
	最大 Max. inertia	0.05 kg·m ²
机器人本体 Manipulator	重量 Weight	14.4kg
	最大运动范围 Reach	400mm
重复定位精度 Position repeatability	轴 1+ 轴 2 Axis 1+Axis 2	±0.01mm
	轴 3 Axis 3	±0.01mm
	轴 4 Axis 4	±0.005°
IP 等级 Ingress Protection		IP20
安装方式 Mounting		地装 Floor
运动范围 Working range	轴 1 Axis 1	-136°/+136°
	轴 2 Axis 2	-141°/+141°
	轴 3 Axis 3	150 mm
	轴 4 Axis 4	-360°/+360°
运动速度 Rotation rate	轴 1 Axis 1	600°/s
	轴 2 Axis 2	600°/s
	轴 1+ 轴 2 Axis1+Axis2	6000mm/s
	轴 3 Axis 3	1100mm/s
小臂接口 Small arm interface	电气接口 Electrical interface	20 路 IO
	气路接口 Air plug interface	2 路 φ6
适用控制柜 Controllers		inCube2S-6
安装条件 Mounting conditions	环境温度: 0~40℃ Ambient temperature: 0~40℃ 湿度: 恒温下 85% 以内, 无凝露。 Humidity: not more than 85% at constant temperature without condensation. 允许高度: 海拔 1000m 以下。 Allowable altitude: not more than 1000m above sea level. 不应有腐蚀性、可燃性、易爆性气体。 No corrosive, flammable or explosive gases.	

运动范围 Working range



轴 1/ 轴 2 运动范围
Working range of axis 1 and axis 2



轴 3 运动范围
Working range of axis 3

外形尺寸、夹具及底座安装图 Overall dimensions, fixture and base installation drawing

