



AIR20SC-820/AIR20SC-1000

高速、高刚性
大惯量
提供防滴防尘版本
提供吊装版本

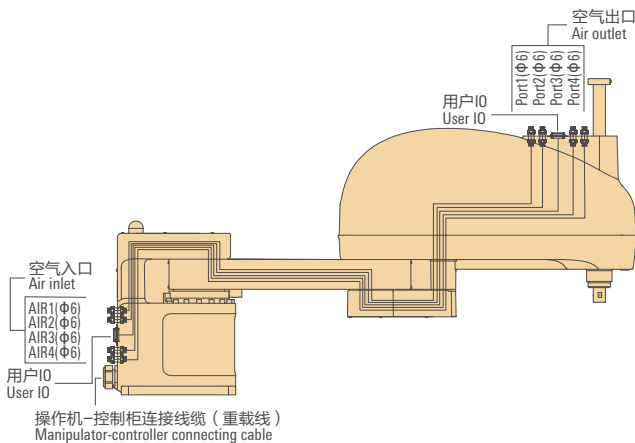
High speed, high rigidity
High inertia
Drip-proof and Dust-proof version
Ceiling-Mount version

- 高速、高刚性，出色的加减速速度，保证更高效更稳定的运行。
High speed, high rigidity, excellent acceleration and deceleration to ensure more efficient and stable operation.
- 更大惯量，适合大尺寸、大偏心的负载进行高速搬运。
Larger inertia, suitable for high-speed handling of large-sized, large-eccentric payload.
- 内部中空走线设计，无外部波纹管，最大程度减少对外部空间的干涉。
Internal hollow wiring design, minimizing interference with external space.
- 提供防滴防尘版本，适合在潮湿、灰尘和油雾等恶劣条件下运行。
Optional Drip-proof and Dust-proof version, suitable for operating under harsh conditions such as humidity, dust and oil mist.
- 提供吊装版本，有效利用空间。
Optional Ceiling-Mount version, effective use of space.

细分版本 Variant

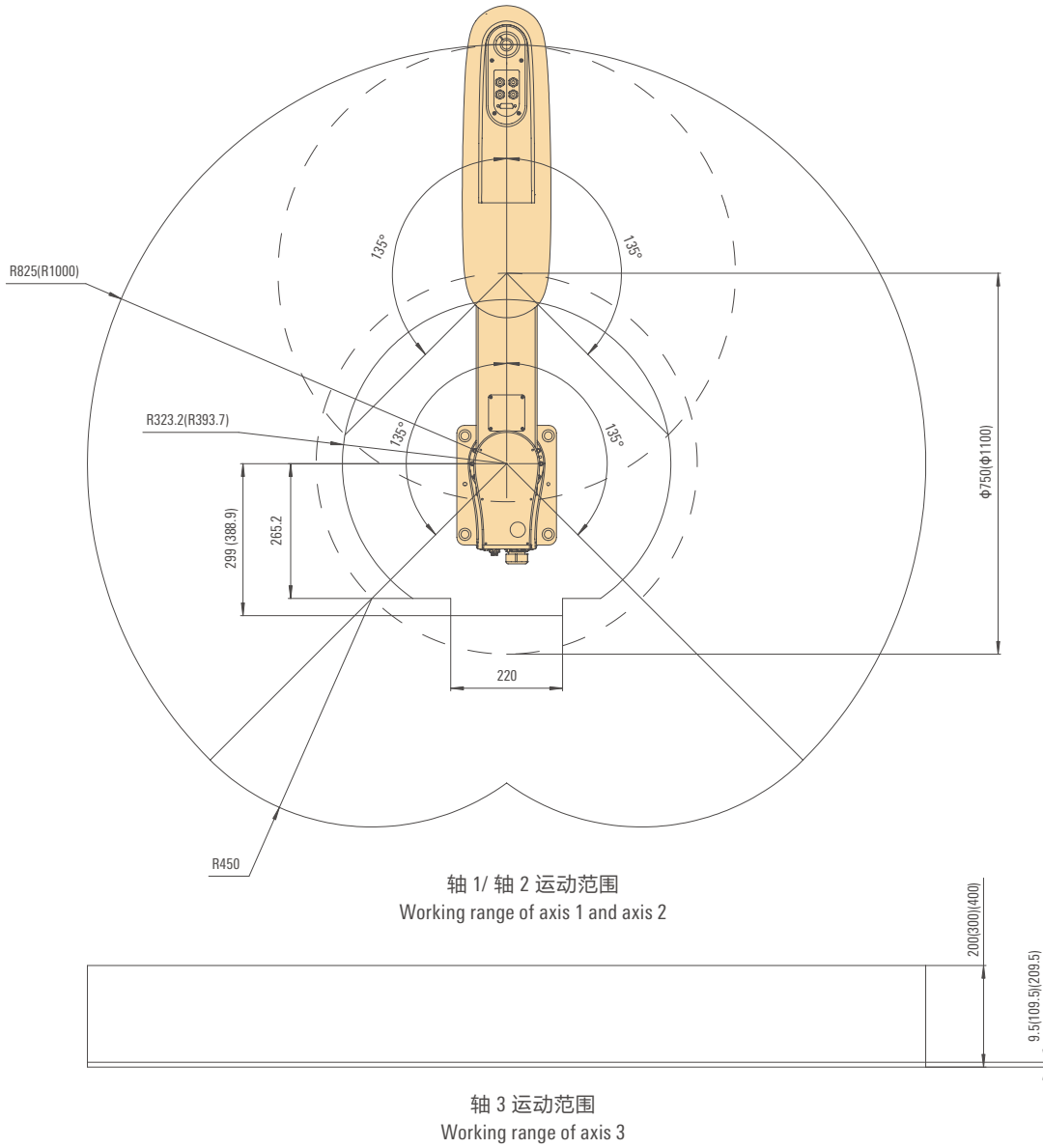
正装 Floor-Mount	吊装 Ceiling-Mount
AIR20SC-820Z20	AIR20SC-820Z20-OH
AIR20SC-820Z30	AIR20SC-820Z30-OH
AIR20SC-820Z40	AIR20SC-820Z40-OH
AIR20SC-820Z60	AIR20SC-820Z60-OH
AIR20SC-1000Z20	AIR20SC-1000Z20-OH
AIR20SC-1000Z30	AIR20SC-1000Z30-OH
AIR20SC-1000Z40	AIR20SC-1000Z40-OH
AIR20SC-1000Z60	AIR20SC-1000Z60-OH

机体内配线·配管 Integrated dressing



型号 Type		AIR20SC-820	AIR20SC-1000
轴数 Axes		4	4
负载 Payload	额定 Rated payload	10kg	10kg
	最大 Max. payload	20kg	20kg
轴 4 允许装载的惯量 Allowable moment of inertia of J4	额定 Rated inertia	0.08kg·m ²	0.08kg·m ²
	最大 Max. inertia	1kg·m ²	1kg·m ²
机器人本体 Manipulator	重量 Weight	48kg	54kg
	最大运动范围 Reach	825mm	1000mm
重复定位精度 Position repeatability	轴 1+ 轴 2 Axis 1+Axis 2	±0.02mm	±0.02mm
	轴 3 Axis 3	±0.01mm	±0.01mm
	轴 4 Axis 4	±0.01°	±0.01°
IP 等级 Ingress Protection		IP30/IP54	IP30/IP54
安装方式 Mounting		地装 / 吊装 Floor/ceiling	地装 / 吊装 Floor/ceiling
运动范围 Working range	轴 1 Axis 1	-135°/+135°	-135°/+135°
	轴 2 Axis 2	-135°/+135°	-135°/+135°
	轴 3 Axis 3	200/300/400/600 mm	200/300/400/600 mm
	轴 4 Axis 4	-360°/+360°	-360°/+360°
运动速度 Rotation rate	轴 x+ 轴 y Axis x+Axis y	10400mm/s	10800mm/s
	轴 3 Axis 3	1666mm/s	1666mm/s
	轴 4 Axis 4	1300°/s	1300°/s
小臂接口 Small arm interface	电气接口 Electrical interface	20 路 I/O	20 路 I/O
	气路接口 Air plug interface	4 路 Φ6	4 路 Φ6
适用控制柜 Controllers		inCube2S-20	inCube2S-20
安装条件 Mounting conditions		环境温度: 0~40℃ Ambient temperature: 0~40℃ 湿度: 恒温下 85% 以内, 无凝露。 Humidity: not more than 85% at constant temperature without condensation. 允许高度: 海拔 1000m 以下。 Allowable altitude: not more than 1000m above sea level. 不应有腐蚀性、可燃性、易爆性气体。 No corrosive, flammable or explosive gases.	

运动范围 Working range



外形尺寸、夹具及底座安装图 Overall dimensions, fixture and base installation drawing

