



AIR12SC-820/AIR12SC-1000

高速、高刚性
大惯量
提供防滴防尘版本
提供吊装版本

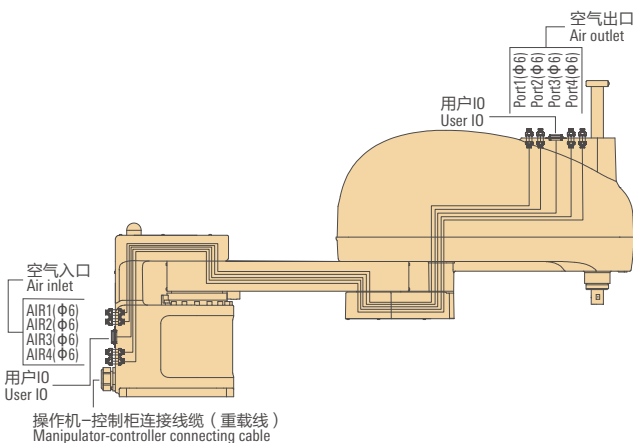
High speed, high rigidity
High inertia
Drip-proof and Dust-proof version
Ceiling-Mount version

- 高速、高刚性，出色的加减速速度，保证更高效更稳定的运行。
High speed, high rigidity, excellent acceleration and deceleration to ensure more efficient and stable operation.
- 更大惯量，适合大尺寸、大偏心的负载进行高速搬运。
Larger inertia, suitable for high-speed handling of large-sized, large-eccentric payload.
- 内部中空走线设计，无外部波纹管，最大程度减少对外部空间的干涉。
Internal hollow wiring design, minimizing interference with external space.
- 提供防滴防尘版本，适合在潮湿、灰尘和油雾等恶劣条件下运行。
Optional Drip-proof and Dust-proof version, suitable for operating under harsh conditions such as humidity, dust and oil mist.
- 提供吊装版本，有效利用空间。
Optional Ceiling-Mount version, effective use of space.

细分版本 Variant

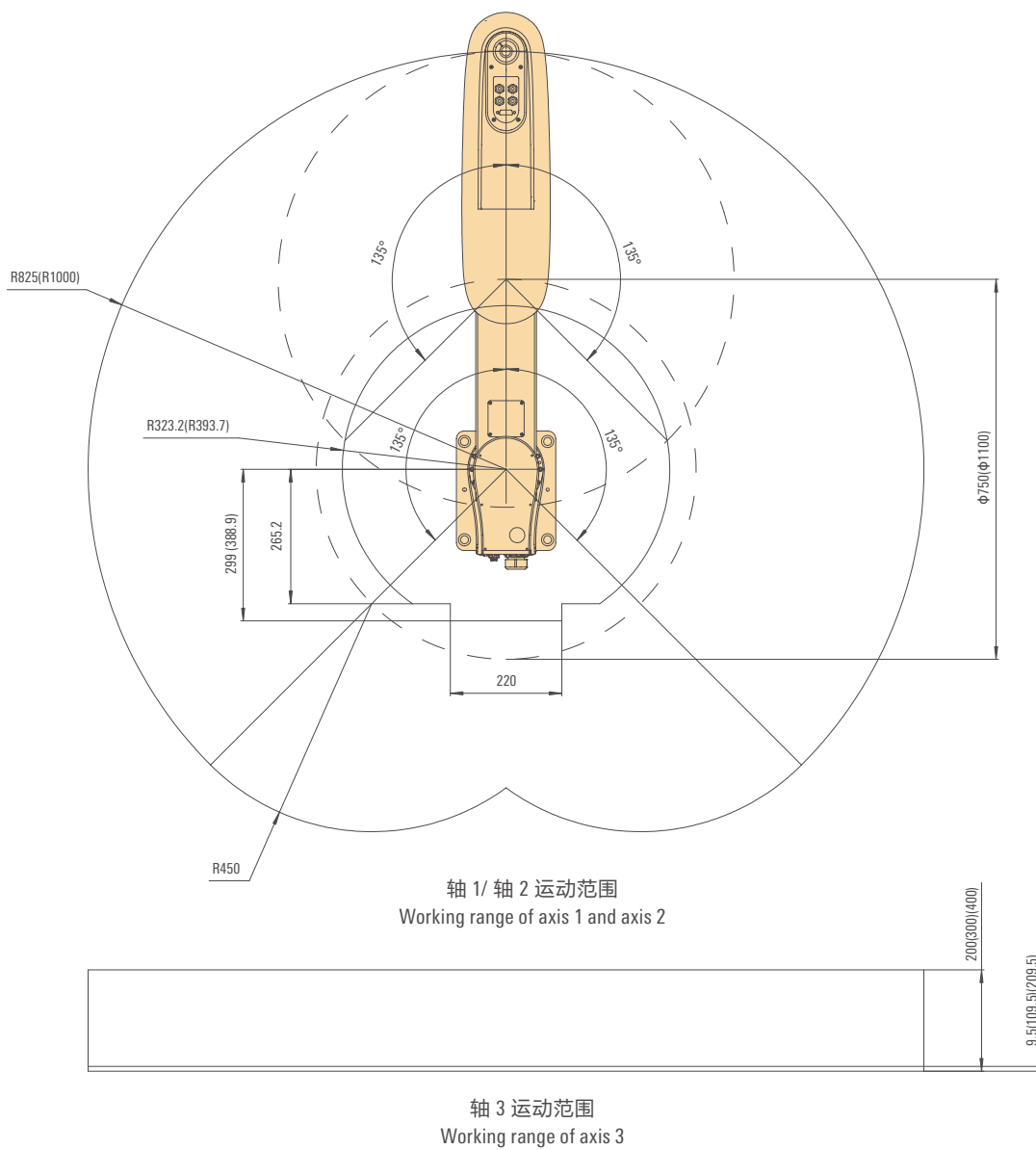
| 正装 Floor-Mount | 吊装 Ceiling-Mount |
|-----------------|--------------------|
| AIR12SC-820Z20 | AIR12SC-820Z20-OH |
| AIR12SC-820Z30 | AIR12SC-820Z30-OH |
| AIR12SC-820Z40 | AIR12SC-820Z40-OH |
| AIR12SC-820Z60 | AIR12SC-820Z60-OH |
| AIR12SC-1000Z20 | AIR12SC-1000Z20-OH |
| AIR12SC-1000Z30 | AIR12SC-1000Z30-OH |
| AIR12SC-1000Z40 | AIR12SC-1000Z40-OH |
| AIR12SC-1000Z60 | AIR12SC-1000Z60-OH |

机体内配线·配管 Integrated dressing



| 型号 Type | AIR12SC-820 | AIR12SC-1000 | |
|--|--|--------------------------|-----------------------|
| 轴数 Axes | 4 | 4 | |
| 负载 Payload | 额定 Rated payload | 6kg | 6kg |
| | 最大 Max. payload | 12kg | 12kg |
| 轴 4 允许装载的惯量 Allowable moment of inertia of J4 | 额定 Rated inertia | 0.05kg·m ² | 0.05kg·m ² |
| | 最大 Max. inertia | 0.45kg·m ² | 0.45kg·m ² |
| 机器人本体 Manipulator | 重量 Weight | 48kg | 54kg |
| | 最大运动范围 Reach | 825mm | 1000mm |
| 重复定位精度 Position repeatability | 轴 1+ 轴 2 Axis 1+Axis 2 | ±0.02mm | ±0.02mm |
| | 轴 3 Axis 3 | ±0.01mm | ±0.01mm |
| | 轴 4 Axis 4 | ±0.01° | ±0.01° |
| IP 等级 Ingress Protection | IP30/IP54 | IP30/IP54 | |
| 安装方式 Mounting | 地装 / 吊装 Floor/ceiling | 地装 / 吊装 Floor/ceiling | |
| 运动范围 Working range | 轴 1 Axis 1 | -135°/+135° | -135°/+135° |
| | 轴 2 Axis 2 | -135°/+135° | --135°/+135° |
| | 轴 3 Axis 3 | 200/300/400/600 mm | 200/300/400/600 mm |
| | 轴 4 Axis 4 | -360°/+360° | -360°/+360° |
| 运动速度 Rotation rate | 轴 x+ 轴 y Axis x+Axis y | 10100mm/s | 11200mm/s |
| | 轴 3 Axis 3 | 1666mm/s | 1666mm/s |
| 小臂接口 Small arm interface | 电气接口 Electrical interface | 20 路 IO | 20 路 IO |
| | 气路接口 Air plug interface | 4 路 Φ6 | 4 路 Φ6 |
| 适用控制柜 Controllers | inCube2S-20 | | |
| 安装条件 Mounting conditions | 环境温度: 0~40℃ Ambient temperature: 0~40℃ 湿度: 恒温下 85% 以内, 无凝露。 Humidity: not more than 85% at constant temperature without condensation. 允许高度: 海拔 1000m 以下。 Allowable altitude: not more than 1000m above sea level. 不应有腐蚀性、可燃性、易爆性气体。 No corrosive, flammable or explosive gases. | | |

运动范围 Working range



外形尺寸、夹具及底座安装图 Overall dimensions, fixture and base installation drawing

